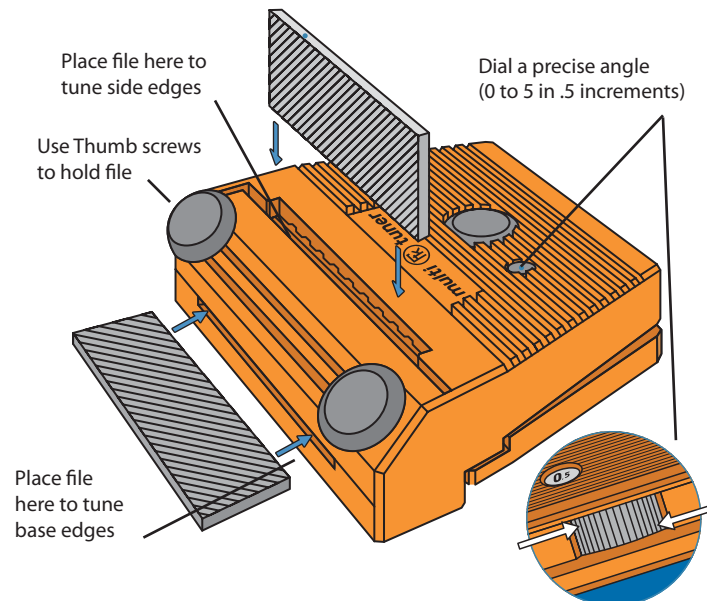




3100 MULTI BASE & EDGE BEVELER

Angle range from 0°-5° in steps of .5°



Perfect for tuning or beveling edges on all skis and snowboards. Easy to use at home or in the shop. Angle range from 0-5° in .5° increments. Comes with 70 mm medium ski file. Fits DMT diamonds and coarse and fine files, sold separately.



TOOLS MFG. IN GERMANY

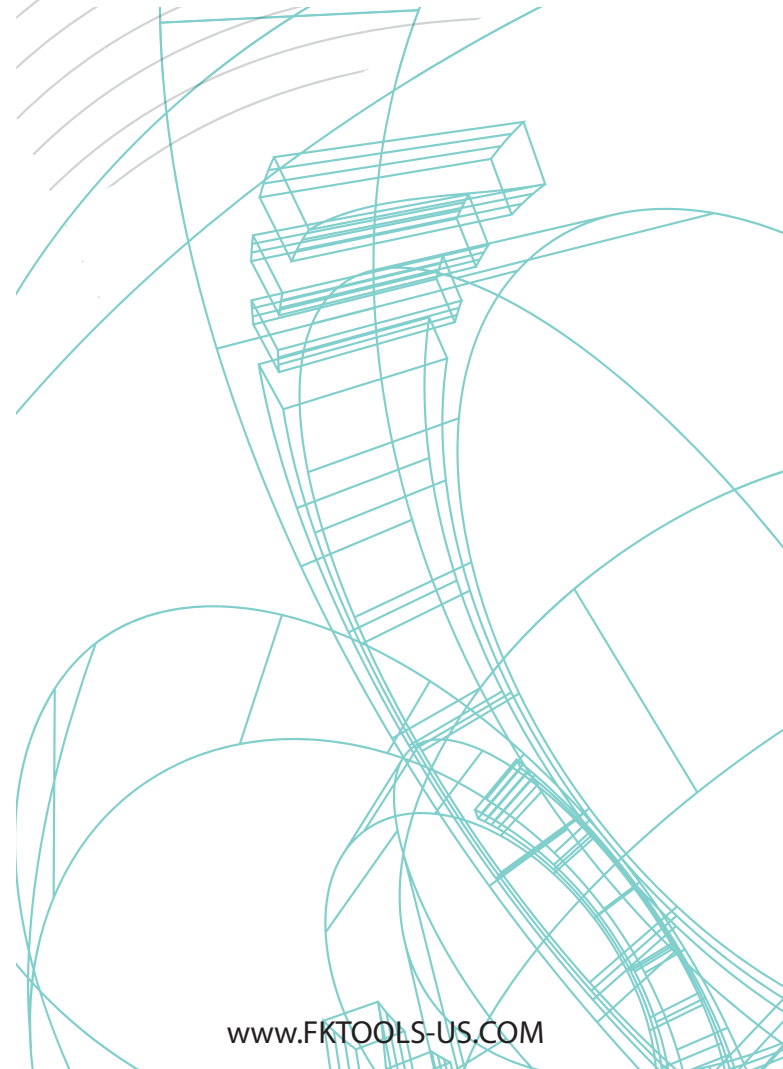
RUFFOLO, INC. 2926 75TH ST. KENOSHA, WI 53143 800-877-7025

VISIT THE FK/SKS TOOLS SITE
www.FKTOOLS-US.COM



3100 MULTI BASE & EDGE BEVELER

Angle range from 0°-5° in steps of .5°



www.FKTOOLS-US.COM

Instructions for using the 3100

Insert file into tool into the proper place for base or side edge beveling. The thumb screws allow for easy file movement without the need for a screw-driver

Turn the dial to the angle you desire
It is usually best to pull the tool toward you.
Notice the arrow on the file and insert it so that the file is inserted into tool with correct cutting direction.

It is usually best to tune the base edge first.
You want to just remove the scratches on the base edge.

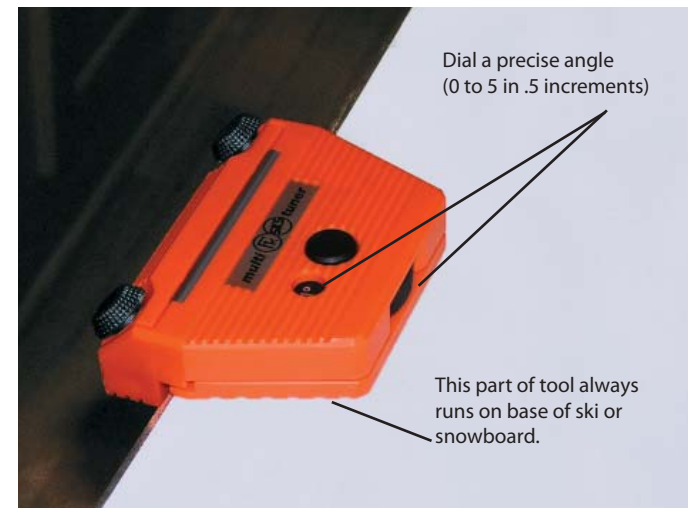
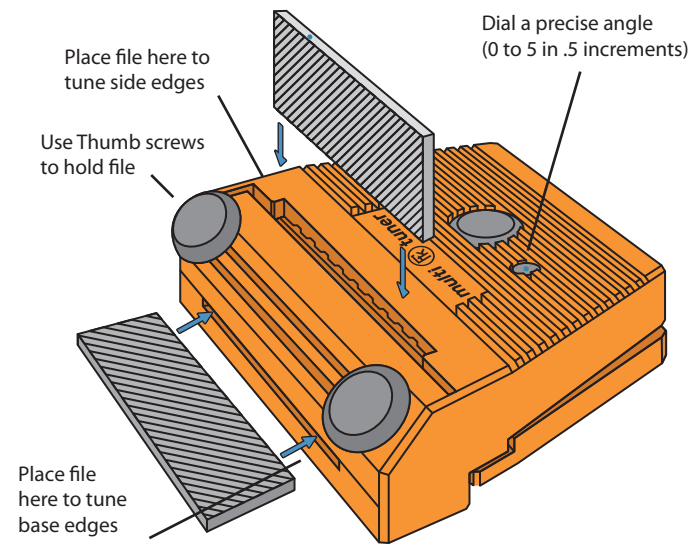
To produce a new sharp corner work the side edge until enough material is removed to produce a sharp corner.

The 3100 Multi Tuner is designed to accept 70mm files and stones including the DMT 70mm Diamond Stones.

Replacement and optional files

- 3049 70mm Fine file
- 3200 70mm Medium file
- 3206 70mm Mill (Coarse) file
- 703G Green 1200 Grit DMT Diamond
- 703R Red 600 Grit DMT Diamond
- 703B Blue 325 Grit DMT Diamond
- 703K Black 220 Grit Diamond
- 703XX Silver 120 Grit Diamond
- 3212 70mm Tungsten Carbide file
- 3216 70mm Pro Tungsten Carbide file

3100 MULTI BASE & EDGE BEVELER



see Tuning tips online at
www.fktools-us.com/tooltips.asp